

Table of Contents

Pneumatics

Tubing, Precision Nylon	2
Tube Fittings, Introduction to Instassemble	3
Tube Fittings, Brass Instassemble Standard	4
Tube Fittings, Brass Instassemble D.O.T.	5
Assortments, Tube Fittings, Standard and D.O.T.	6
Tubing (Polyurethane), Clear SoftFlo	7
Swivel End Fittings, Reusable (Brass)	7
Pneumatic Swivel Quik Fitting	8
Couplings, Quick-Connects Introduction (Air)	8
Couplings, Quick-Connect SUPER-FLO, HI-FLO, ARO-FLO	9
Hose, Super Blue Utility / 3091 Series	10
Couplings, Permanently Attached / 3903 Series	10
Swage Tool, Pushers and Dies	11
Clean Screen Fittings	12
Recoil Tubing, Red PermaCoil	13
Red PermaCoil Tubing Chemical Resistance Chart	14
Hose Clamps, Stainless Steel	15
Hose Clamp Assortment, Stainless Steel	15

Precision Nylon Tubing

Instassemble fittings require precision nylon tubing with high performance tolerance levels. For air, lubricant or low pressure hydraulic lines. Low moisture absorption.

Note: Only black tubing should be used unless it is positive that nylon tubing will never be used outdoors or exposed to ultra violet light.

GARD Specialists' precision tubing has carbon black as part of its material make-up and will never harden or get brittle when exposed to harsh elements.

PSI @ 75° Maximum Pressure

Tube O.D.	Tube I.D.	Wall Thickness	Working	Burst	Min. Bend Radius	Order Length	Part Number BLACK
1/8"	.093	.016	200	800	1/2"	100 Ft.	121-2BK
3/16"	.138	.025	200	800	5/8"	100 Ft.	121-3BK
1/4"	.180	.035	250	1000	7/8"	100 Ft.	121-4BK
5/16"	.233	.040	250	1000	1-1/8"	100 Ft.	121-5BK
3/8"	.275	.050	250	1000	1-1/8"	100 Ft.	121-6BK
1/2"	.275	.062	200	800	1-1/4"	100 Ft.	121-8BK



Instassemble "Fittings in an Instant"

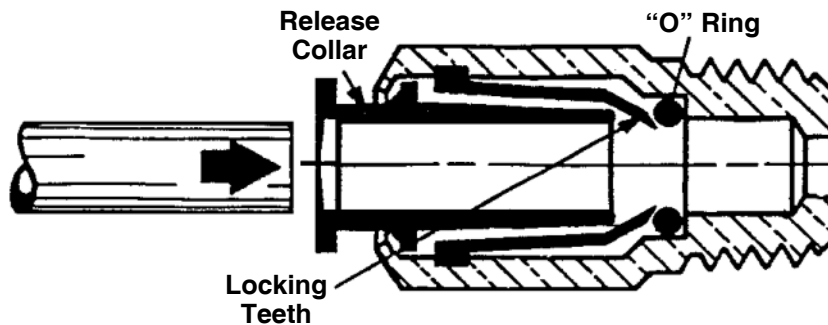
**Several sizes and dimensions to choose from:
Tube to Tube, Male NPT to Tube, Unions,
Live Elbows and Tees**

To Connect Tubing

Simply push the tubing into the fitting until it bottoms.

To Remove Tubing

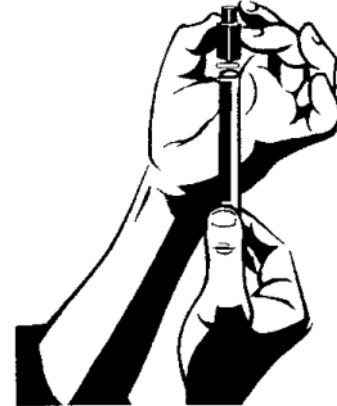
Push in release collar.
While pressing on collar,
pull tubing out.



Reduced Assembly Time and Easy to Inventory!

- Automatic locking and sealing to maximize pressure
- Release collar allows fast line checks and tube removal
- NO NUTS! The fittings can be closely mounted
- Fast gripping action of locking teeth allows assembly to withstand vibration with or without pressure
- Outstanding performance with polyethylene, nylon or polyurethane tubing
- Unrestricted inner diameter (ID) allows maximum flow
- Possible to use smaller tube size where larger tubing with compression or barb fitting has been required
- No ferrules or inserts - fittings are REUSABLE !
- "LIVE" Elbow and tee configurations available
- Male pipe threads are pre-taped with Teflon

Fittings in an Instant!



PUSH and CONNECT!

INSTASSEMBLE TECHNICAL DATA:

Construction:	Brass body, brass spring locking teeth, oil resistant Buna-N O-ring, tough heavy duty plastic release collar
Fluid Applications:	Compressed air, oil, water or other non-corrosive liquids
Working Vacuum:	From 27" Hg
Working Pressure:	To 250 PSI
Working Temperature:	-40°F to + 200°F

Instassemble Fittings Assortments available, see page 6.



**Union
TUBE to TUBE**

Tube O.D.	Part No.
1/8"	100-22B
1/4"	100-44B
5/16"	100-55B
3/8"	100-66B
1/2"	100-88B



**Union ELBOW
TUBE to TUBE**

Tube O.D.	Part No.
1/4"	101-44B
5/16"	101-55B
3/8"	101-66B
1/2"	101-88B



**Union TEE
TUBE to TUBE**

Tube O.D.	Part No.
1/8"	102-222B
1/4"	102-444B
5/16"	102-555B
3/8"	102-666B
1/2"	102-888B



BULKHEAD Union

Tube O.D.	Part No.
1/8"	103-22B
1/4"	103-44B
5/16"	103-55B
3/8"	103-66B
1/2"	103-88B



**HEX HEAD MALE CONNECTOR
TUBE to NPT**

Tube O.D.	NPT	Part No.
1/8"	1/16"	104-2-1B
1/8"	1/8"	104-2-2B
1/4"	1/16"	104-4-1B
1/4"	1/8"	104-4-2B
1/4"	1/4"	104-4-4B
1/4"	3/8"	104-4-6B
5/16"	1/8"	104-5-2B
5/16"	1/4"	104-5-4B
3/8"	1/4"	104-6-4B
3/8"	3/8"	104-6-6B
3/8"	1/2"	104-6-8B
1/2"	1/4"	104-8-4B
1/2"	3/8"	104-8-6B



**360° SWIVEL MALE ELBOW
TUBE to NPT**

Tube O.D.	NPT	Part No.
1/8"	1/8"	105-2-2B
1/4"	1/8"	105-4-2B
1/4"	1/4"	105-4-4B
1/4"	3/8"	105-4-6B
5/16"	1/8"	105-5-2B
5/16"	1/4"	105-5-4B
3/8"	1/4"	105-6-4B
3/8"	3/8"	105-6-6B
3/8"	1/2"	105-6-8B
1/2"	1/4"	105-8-4B
1/2"	3/8"	105-8-6B
1/2"	1/2"	105-8-8B



**MALE SWIVEL RUN TEE
TUBE to NPT**

Tube O.D.	NPT	Part No.
1/8"	1/8"	106-22-2BS
1/4"	1/8"	106-44-2BS
1/4"	1/4"	106-44-4BS
5/16"	1/8"	106-55-2BS
3/8"	1/4"	106-66-4BS
3/8"	3/8"	106-66-6BS
1/2"	3/8"	106-88-6BS
1/2"	1/2"	106-88-8BS



**MALE SWIVEL BRANCH TEE
TUBE to NPT**

Tube O.D.	NPT	Part No.
1/8"	1/8"	107-22-2BS
1/4"	1/8"	107-44-2BS
1/4"	1/4"	107-44-4BS
5/16"	1/8"	107-55-2BS
3/8"	1/4"	107-66-4BS
3/8"	3/8"	107-66-6BS
1/2"	1/4"	107-88-4BS
1/2"	3/8"	107-88-6BS
1/2"	1/2"	107-88-8BS

Instassemble Air Brake Fittings D.O.T.* Standard

*D.O.T. is imprinted on all air brake fittings to verify compliance of standards set by the National Highway Traffic Safety Administration, Department of Transportation FMVSS 106 for all air brake applications except those designed for use between frame and axle or between towed and towing vehicle. Assortments available, see page 6.



**Union
TUBE to TUBE D.O.T.**

Tube O.D.	Part No.
1/4"	100-44DB
3/8"	100-66DB
1/2"	100-88DB



**Union ELBOW
TUBE to TUBE D.O.T.**

Tube O.D.	Part No.
1/4"	101-44DB
3/8"	101-66DB
1/2"	101-88DB



**Union TEE
TUBE to TUBE D.O.T.**

Tube O.D.	Part No.
1/4"	102-444DB
3/8"	102-666DB
1/2"	102-888DB



**BULKHEAD Union
D.O.T.**

Tube O.D.	Part No.
1/4"	103-44DB
3/8"	103-66DB
1/2"	103-88DB



**MALE SWIVEL RUN TEE
TUBE to NPT D.O.T.**

Tube O.D.	NPT	Part No.
1/4"	1/8"	106-44-2DBS
1/4"	1/4"	106-44-4DBS
3/8"	1/4"	106-66-4DBS
3/8"	3/8"	106-66-6DBS
1/2"	3/8"	106-88-6DBS
1/2"	1/2"	106-88-8DBS



**HEX HEAD
MALE CONNECTOR
TUBE to NPT D.O.T.**

Tube O.D.	NPT	Part No.
1/4"	1/8"	104-4-2DB
1/4"	1/4"	104-4-4DB
1/4"	3/8"	104-4-6DB
3/8"	1/4"	104-6-4DB
3/8"	3/8"	104-6-6DB
3/8"	1/2"	104-6-8DB
1/2"	1/4"	104-8-4DB
1/2"	3/8"	104-8-6DB
1/2"	1/2"	104-8-8DB



**360° SWIVEL
MALE ELBOW
TUBE to NPT D.O.T.**

Tube O.D.	NPT	Part No.
1/4"	1/8"	105-4-2DB
1/4"	1/4"	105-4-4DB
1/4"	3/8"	105-4-6DB
3/8"	1/4"	105-6-4DB
3/8"	3/8"	105-6-6DB
3/8"	1/2"	105-6-8DB
1/2"	1/4"	105-8-4DB
1/2"	3/8"	105-8-6DB
1/2"	1/2"	105-8-8DB



**MALE SWIVEL BRANCH TEE
TUBE to NPT D.O.T.**

Tube O.D.	NPT	Part No.
1/4"	1/8"	107-44-2DBS
1/4"	1/4"	107-44-4DBS
3/8"	1/4"	107-66-4DBS
3/8"	3/8"	107-66-6DBS
1/2"	1/4"	107-88-4DBS
1/2"	3/8"	107-88-6DBS
1/2"	1/2"	107-88-8DBS

Instassemble Assortments

Each Instassemble Assortment comes in a 16 Compartment Steel Tray with Latch

STANDARD BRASS INSTASSEMBLE Assortment

Part Number: 500-TFB



**Straight Union
TUBE to TUBE**

Tube O.D.	(2) Part No.
1/8"	100-22B
1/4"	100-44B
5/16"	100-55B
3/8"	100-66B



**MALE CONNECTOR
TUBE to NPT**

Tube O.D.	NPT	(2) Part No.
1/8"	1/8"	104-2-2B
1/4"	1/4"	104-4-4B
5/16"	1/4"	104-5-4B
3/8"	3/8"	104-6-6B



**MALE ELBOW
TUBE to NPT**

Tube O.D.	NPT	(2) Part No.
1/8"	1/8"	105-2-2B
1/4"	1/4"	105-4-4B
5/16"	1/4"	105-5-4B



**MALE SWIVEL BRANCH TEE
TUBE to NPT**

Tube O.D.	NPT	(2) Part No.
1/8"	1/8"	107-22-2BS
1/4"	1/4"	107-44-4BS
5/16"	1/8"	107-55-2BS
3/8"	1/4"	107-66-4BS

D.O.T. BRASS INSTASSEMBLE Assortment

Part Number: 500-TFBD



**D.O.T. Straight Union
TUBE to TUBE**

Tube O.D.	(2) Part No.
1/4"	100-44DB
3/8"	100-66DB
1/2"	100-88DB



**D.O.T. MALE CONNECTOR
TUBE to NPT**

Tube O.D.	NPT	(2) Part No.
1/4"	1/8"	104-4-2DB
1/4"	1/4"	104-4-4DB
3/8"	1/4"	104-6-4DB
3/8"	3/8"	104-6-6DB
1/2"	1/2"	104-8-8DB



**D.O.T. MALE ELBOW
TUBE to NPT**

Tube O.D.	NPT	(2) Part No.
1/4"	1/8"	105-4-2DB
1/4"	1/4"	105-4-4DB
3/8"	3/8"	105-6-6DB
1/2"	1/2"	105-8-8DB



**D.O.T. MALE SWIVEL
BRANCH TEE
TUBE to NPT**

Tube O.D.	NPT	(2) Part No.
1/4"	1/4"	107-44-4DBS
3/8"	3/8"	107-66-6DBS
1/2"	3/8"	107-88-6DBS
1/2"	1/2"	107-88-8DBS

Clear SoftFlo Tubing

Use SoftFlo Tubing for production operations and throughout maintenance departments. Made of the highest quality polyurethane. Average working pressure up to 150 PSI.

- Flexible and Light
- Indestructibly Tough
- Wear Resistant
- Smooth O.D. and I.D.
- Resists Cracking, Rotting or Peeling

Use Reusable Brass Swivel Ends for Secure Assembly (see below)



Tube O.D. x Tube I.D.	Order Length	Part Number
1/8" x 1/16"	50 / 100 ft.	4803-02CR
1/4" x 1/8"	50 / 100 ft.	4803-04CR
3/8" x 1/4"	50 / 100 ft.	4803-06CR
1/2" x 3/8"	50 / 100 ft.	4803-08CR
9/16" x 3/8"	50 / 100 ft.	4803-09CR
3/4" x 1/2"	50 / 100 ft.	4803-12CR

Chemical Resistance Data listed on page 14.

Other colors and lengths are available upon request.

Reusable Brass Swivel Ends

Reusable Brass Swivel Fittings provide a long nut to protect the tubing at the highest fatigue area, the fitting. Reusable fittings may be used on SoftFlo tubing or modified PermaCoil Tubing.

- Creates a Secure, Non-Snagging Assembly
- Reusable
- Easy Field Assembly
- Wear Resistant
- No Tube Supports
- Thread Sealant on Every Fitting

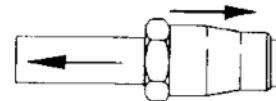


Reusable Brass Swivels

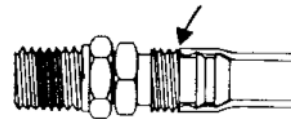
Barb x NPT	Part Number
.159" x 1/4"	4804-025-04M
1/4" x 1/4"	4804-04-04M
3/8" x 3/8"	4804-06-06M
.467" x 1/2"	4804-12-08M

INSTALLATION:

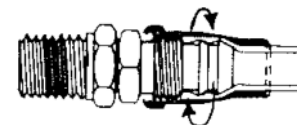
- 1) After cutting the hose end clean, insert the hose through the small end of the brass sleeve.



- 2) Press the serrated end of the brass fitting into the end of the hose until it seals against the base threads.



- 3) Slide the brass sleeve over the serrated connection, thread it onto the brass fitting and tighten with a wrench to complete assembly.





Both Areas Swivel at 360°

Pneumatic Swivel Quik

Increase air hose mobility and maneuverability with Pneumatic Swivel Quik. Designed to swivel (360°) in two locations. The operator doesn't have to experience the nuisance of hose entanglement or limited mobility. Air hose automatically drops straight down.

Great for Most Portable Air Tools:

- Drills
- Glue Guns
- Grinders
- Staple Guns
- Buffers
- Sanders

150 PSI Maximum

Size	Part Number
1/4" NPT	4851-04
3/8" NPT	4851-06
1/2" NPT	4851-08

Note: Not intended for use on percussion tools or in areas of high mechanical abuse.

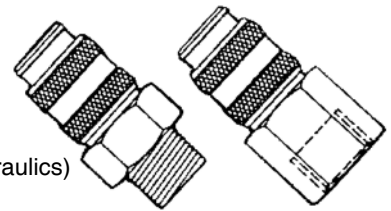
Quick-Connect Couplings



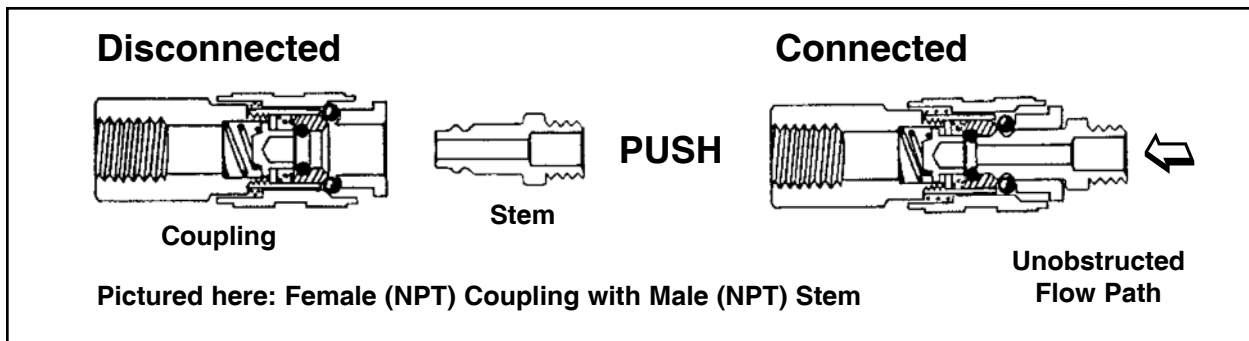
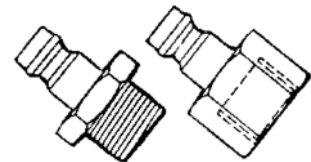
Save your compressor and your time with Quick-Connect Couplings.

- One Hand "Push-to-Connect" tool changes fast!
- 1000 PSI (3000 PSI Water Pressure Coupler Available - See Hydraulics)
- Temperature Range -40°F to +250°F
- Light Weight
- Efficient
- No Adapters
- Wide variety of body and connection sizes
- Suitable for compressed air/gasses and many other fluids (water, oils, etc.)
- Noticeably improved tool power

COUPLINGS



STEMS



SUPER-FLO, HI-FLO and ARO-FLO Quick Connect Couplings
Complete Listing on Next Page

See Super Blue Utility Hose on Page 10
Great Assembly!

SUPER-FLO Quick Connect Couplings

Wide stem/valve opening for 200% more flow capacity than other brands. Suitable for all production air tools. Low pressure drop.

UNRESTRICTED FLOW PATH

Note: Super-Flo Couplings are an original design, use Super-Flo Stems only!



Super-Flo Female NPT Coupling



1/4" Super-Flo Body	3/8" Super-Flo Body	Connection Size	1/4" Super-Flo Body	3/8" Super-Flo Body
4-4F-116		1/4" NPT	4-4F-117	6-4F-117
4-6F-116		3/8" NPT	4-6F-117	
		1/2" NPT	4-8F-117	

Super-Flo Female NPT Stem



Super-Flo Male NPT Coupling



1/4" Super-Flo Body	3/8" Super-Flo Body	1/2" Super-Flo Body	Connection Size	1/4" Super-Flo Body	3/8" Super-Flo Body	1/2" Super-Flo Body
4-4M-116			1/8" NPT	4-2M-117		
			1/4" NPT	4-4M-117		
			3/8" NPT	4-6M-117		
			1/2" NPT			6-8M-117

Super-Flo Male NPT Stem



HI-FLO Quick Connect Couplings

"Industrial interchange" fits easily to existing air systems. Unique valve design allows for 100% more flow than other brands. Low pressure drop.

IMPROVED FLOW PATH

Note: Hi-Flo Couplings and Stems are interchangeable with most industrial couplings.



High-Flo Female NPT Coupling



1/4" High-Flo Body	3/8" High-Flo Body	1/2" High-Flo Body	Connection Size	1/4" High-Flo Body	3/8" High-Flo Body	1/2" High-Flo Body
4-4F-118			1/4" NPT	4-4F-119	6-4F-119	
4-6F-118			3/8" NPT	4-6F-119	6-6F-119	8-6F-119
			1/2" NPT		6-8F-119	8-8F-119

High-Flo Female NPT Stem



High-Flo Male NPT Coupling



1/4" High-Flo Body	3/8" High-Flo Body	1/2" High-Flo Body	Connection Size	1/4" High-Flo Body	3/8" High-Flo Body	1/2" High-Flo Body
4-4M-118			1/4" NPT	4-4M-119	6-4M-119	
4-6M-118	6-6M-118		3/8" NPT	4-6M-119	6-6M-119	8-6M-119
		8-8M-118	1/2" NPT		6-8M-119	8-8M-119

High-Flo Male NPT Stem



ARO-FLO Quick Connect Couplings

Accommodates existing ARO connections.

NOMINAL FLOW PATH



ARO-Flo Female NPT COUPLING



ARO-Flo Male NPT COUPLING



ARO-Flo Female NPT STEM



ARO-Flo Male NPT STEM



SPECIAL "Mini" Male 1/4" ARO Body

Connection Size:

1/4" ARO Body	1/4" ARO Body	1/4" ARO Body	1/4" ARO Body
1/4" NPT	4-4F-120	4-4M-120	4-4F-121
3/8" NPT	4-6F-120	4-6M-120	4-6M-121

4-4M-121 Coupling
4-6M-121 Stem

Super Blue Utility Hose / 3091 Series

General purpose low pressure air and water hose.

(Note: Please use 3903-_____ couplings for 3091 Series hose)



FEATURES:

Jacket - Made of blended, high quality PVC compound, comparable to rubber hose in appearance and jacket texture. Non-marking cover and lightweight 3091 Series hose is ideal for hand tool applications.

Core - A spiral polyester core adds reinforcement while additional longitudinal cords reduce elongation under pressure as high as 300 psi. The inner tube is constructed of black PVC for added durability.

Flexible - At low temperatures, 3091 Series hose is ozone, oil and chemical resistant. You can cut hose to accurate, predictable lengths without surplus or guesswork.

Part Number	Hose I.D.	Max. O.D.	Min. Bend Radius	Working Pressure (PSI)	Min. Burst Pressure (PSI)	Swage Die
3091-04	1/4	1/2	5/8	180	300	304
3091-05	5/16	5/8	3/4	180	300	305
3091-06	3/8	5/8	7/8	180	300	306
3091-08	1/2	13/16	1-1/4	180	300	308
3091-12	3/4	1-1/8	2-1/2	100	250	312



Male Pipe Rigid



Male Pipe Swivel



Female Pipe Swivel

Permanently Attached 3903 Couplings

Coupling: Male Pipe Rigid

Coupling Part No.	Hose I.D.	Pipe / Dash Size	Pusher
3903-04104	1/4	1/4	MP004
3903-04106	1/4	3/8	MP005
3903-05104	5/16	1/4	MP004
3903-05106	5/16	3/8	MP005
3903-06104	3/8	1/4	MP005
3903-06106	3/8	3/8	MP005
3903-06108	3/8	1/2	MP009
3903-08106	1/2	3/8	MP008
3903-08108	1/2	1/2	MP009
3903-12112	3/4	3/4	MP011

Coupling: Male Pipe Swivel

Coupling Part No.	Hose I.D.	Pipe / Dash Size	Pusher
3903-04144	1/4	1/4	MP003
3903-05144	5/16	1/4	MP003
3903-06146	3/8	1/4	MP003
3903-06148	3/8	3/8	MP006
3903-08148	1/2	1/2	MP010
3903-12152	3/4	1/2	MP010

Coupling: Female Pipe Swivel

Coupling Part No.	Hose I.D.	Pipe / Dash Size	Pusher
3903-04204	1/4	1/4	FP002
3903-04206	1/4	3/8	FP003
3903-06246	3/8	3/8	FP006
3903-08248	1/2	1/2	FP007

Swage Tool, Pushers and Dies



Dies

Part Number
302
303
304
305
306
308
312
316
3W4

Part Number
A08
B1600-001
F06
F08
F12
H03
H04
H06
H08

Part Number
H12
H16
J06N
M06
M08
M12
N10
N12

Pushers

Part Number
FP001
FP002
FP003
FP004
FP005
FP006
FP007
FP008
FP009
FP010
FP011
FP012
FP013
FP014
FP015
FP016
FP017
FP018
FP024

Part Number
MP001
MP002
MP003
MP004
MP005
MP006
MP007
MP008
MP009
MP010
MP011
MP012
MP013
MP018
MP023
MP037
MP039
MP046
SP008

Part Number
TP204
TP205
TP206
TP208
TP308
TP310
TP312
TP315

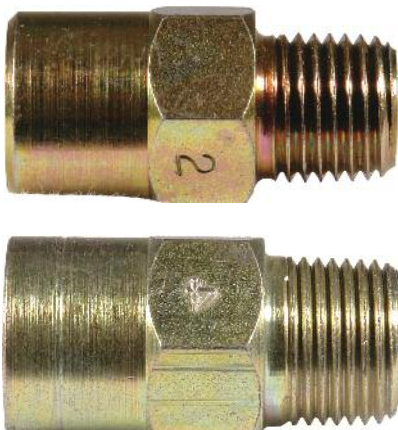
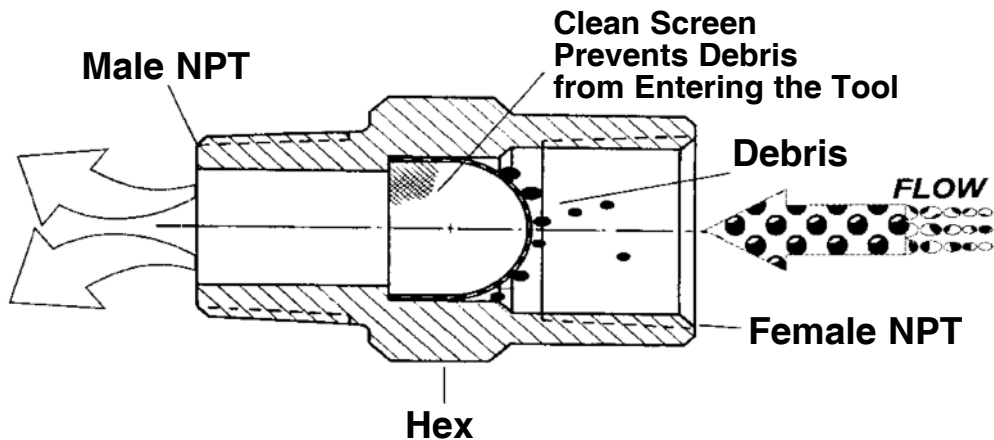
Swage Tool
Part No. SST

Clean Screen Fitting

Full Flow Couplings with EASY and SAFE Connect / Disconnect Under Pressure
 Compact Ergonomic Design - Full Flow and Interchangeable
 Hardened Surface to Protect Critical Points Against Corrosion and Wear

An Ounce of Prevention is Worth a Pound of Gold

Prevent damage to air tools caused by dirt and debris forced into your expensive tools and compressors.... introducing **Clean Screen Fittings**. To be used in conjunction with quick disconnects, the Clean Screen simply threads onto existing setups; readily available in both 1/4" and 3/8" NPT. Clean Screen can be used in most air and fluid applications. However, they are **NOT** intended for high pressure hydraulics.



Overall Length	Hex Width	Female NPT	Male NPT	Weight (per each)	Part Number
1.38	11/16"	1/4"	1/4"	1 oz.	4855-04
1.53	13/16"	3/8"	3/8"	2 oz.	4855-06

All Clean Screen dimensions are in inches

Fitting Material: Hardened Steel/Yellow Dichromate Finish
 Screen: .004 Diameter Stainless Steel Wire with 100 Mesh

Red PermaCoil Recoil Tubing with Swivel Ends

PermaCoil is universally popular throughout maintenance and production operations because of its uncommon resilience, memory and longevity.

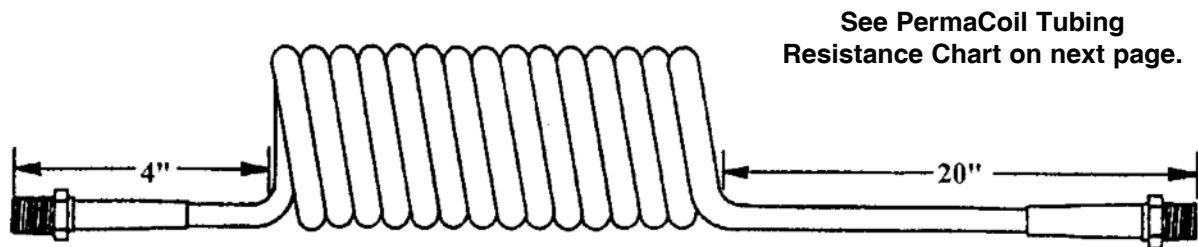


FEATURES

- Reinforced ends with exceptional strain relief
- Lightweight, superior memory
- Heat & Cold Resistant -68 °F to +140°F
- Extremely Flexible and STRONG
- Abrasion Resistant
- Great Chemical Resistance (see page 14)
- Resilient polyurethane
- Durometer Shore A 98, NSF Approved
- 140 P.S.I. Working Pressure @ 60 °F

APPLICATIONS

- Motion Control Equipment
- Pneumatic Tools and Piping
- Robotic and Vacuum Systems
- Laboratories and Agriculture
- Lubrication and Painting Systems
- Ship Piping
- Instrumentation



All PermaCoil tubing assemblies are shipped with permanently installed swivel ends

Tube O.D.	Tube I.D.	Extended Length	Coil O.D.	Coil I.D.	Male Swivel Fitting Size	Part Number
3/8" x	1/4"	10 FT.	2" x	1-1/4"	1/4" NPT	4800-06RD-10
3/8" x	1/4"	15 FT.	2" x	1-1/4"	1/4" NPT	4800-06RD-15
3/8" x	1/4"	20 FT.	2" x	1-1/4"	1/4" NPT	4800-06RD-20
3/8" x	1/4"	25 FT.	2" x	1-1/4"	1/4" NPT	4800-06RD-25
9/16" x	3/8"	10 FT.	3-1/8" x	2"	3/8" NPT	4800-09RD-10
9/16" x	3/8"	15 FT.	3-1/8" x	2"	3/8" NPT	4800-09RD-15
9/16" x	3/8"	20 FT.	3-1/8" x	2"	3/8" NPT	4800-09RD-20
9/16" x	3/8"	25 FT.	3-1/8" x	2"	3/8" NPT	4800-09RD-25

PermaCoil Tubing CHEMICAL RESISTANCE CHART

ACIDS	Rating	GREASES	Rating
Acetic, 3n	B	Calcium Grease	A
Boric, 4%	B	Sodium Grease	A
Chromic, 3n	D	Teflon	A
Citronic, 3n	B	MISCELLANEOUS	Rating
Formic, 3n	D	Diocetyl Phthalate	A
HC1, 3n	A	Ethylene Chloride	B
Lactic, 3n	C	Ethylene Glycol/Water 50/50	B
Nitric, 3n	D	Household Cleaner	B
Phosphoric, 3n	D	Naptha	A
Sulfuric, <20%	A	Silage (Silo) Juice	B
Sulfuric, >20%	B	Natural Perspiration	A
ALKALINES	Rating	Tincture of Iodine	D
Ammonia, 3n	A	Tricresyl Phosphate	D
Potassium Hydroxide, 3n	A	SOLVENTS	Rating
Sodium Hydroxide, <20%	A	Acetone	D
Sodium Hydroxide, >20%	A	Aniline	D
AQUEOUS SOLUTION	Rating	Benzene	D
Aluminum Chloride, 10%	B	Benzyl Alcohol	E
Ammonium Chloride, 10%	B	Butane	B
Bleaching Agent, 40%	A	Butyl Acetate	D
Bleaching Agent, 100%	B	Butyl Alcohol	D
Calcium Chloride, 40%	B	Carbon Tetrachloride	D
Caustic Soda, 10%	A	Chlorobenzene	D
Ferric Chloride, 10%	B	Chloroform	D
Hydrogen Peroxide, 3%	A	Cyclohexane	C
Magnesium Chloride, 30%	B	Ethanol	C
Potassium Chloride, 40%	B	Ether	C
Potassium Dichromate, 10%	B	Ethyl Acetate	D
Potassium Permanganate, 5%	D	Freon 11, 12, 22	C
Sea Water	A	Glycerine & Glycol	A
Sodium Bisulfate, 10%	B	Heptane	B
Sodium Chloride, 10%	B	Hexane	B
Sodium Hypochlorite, PH 13	A	Isopropyl Alcohol	C
FUELS	Rating	Methanol	C
ASTM Fuel A	A	Methyl Acetate	D
ASTM Fuel B	C	Methyl Ethyl Ketone	C
ASTM Fuel C	C	Methyl Glycol	D
Diesel Fuel	B	Methylene Chloride	D
Gasohol (10-15% Methanol)	D	N-Methyl Pyrrolidone	E
High Test (Super) Gasoline	D	Perchloroethylene	D
Kerosene	A	Petroleum	B
OILS	Rating	Pyridine	E
ASTM Oil #1	A	Tetrachloroethylene	D
ASTM Oil #2	A	Tetrahydrofuran	D
ASTM Oil #3	A	Toluene	D
Brake Fluid (ATE or ATS)	D	Trichloroethylene	D
Gear Box Oil (SEA 90)	A	Turpentine	B
Hydraulic Fluid	B	Xylene	D
Hydraulic/Water Emulsion	B	RESISTANCE RATING:	
Mineral Oil	A	A Excellent	(0-3%)
Motor Oil	A	B Good	(4-15%)
Paraffin	A	C Fair	(16%-30%)
Power Steering Fluid	B	D Poor	(>30%)
Skydrol 500 Oil	D	E Dissolves	

Note: This chart is a very general guideline designed to be used as an initial screening tool. Consider dynamic vs. static application; temperature and chemical mixtures can significantly affect or change these ratings either positively or negatively. Careful testing under actual conditions is essential. Therefore no warranty is expressed or implied, and the user assumes all risk and liability.

Stainless Steel Hose Clamps

Absolutely No Spot Welds, Corrosion Resistant, **SOLID** Stainless Steel
With only 10 pounds torque, seals pressures up to 1000 PSI

Miniatures - Narrow 5/16" Width Band

Size	Clamp Range	Pack	Part Number
4	7/32" to 5/8"	6	M4-150
6	5/16" to 7/8"	6	M6-150
8	7/16" to 1"	6	M8-150
10	1/2" to 1-1/16"	6	M10-150



Larger Sizes
Available Upon
Request

Heavy Duty - Standard 1/2" Width Band



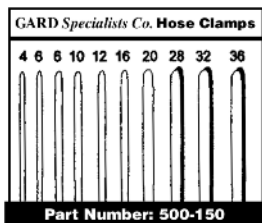
Size	Clamp Range	Pack	Part Number
6	3/8" to 7/8"	6	6-150
8	7/16" to 1"	6	8-150
10	1/2" to 1-1/16"	6	10-150
12	9/16" to 1-1/4"	6	12-150
16	11/16" to 1-1/2"	6	16-150
20	3/4" to 1-3/4"	6	20-150
24	1-1/16" to 2"	6	24-150
28	1-5/16" to 2-1/4"	6	28-150
32	1-9/16" to 2-1/2"	6	32-150
36	1-13/16" to 2-3/4"	6	36-150
40	2-1/16" to 3"	6	40-150
44	2-5/16" to 3-1/4"	6	44-150
48	2-9/16" to 3-1/2"	6	48-150
52	2-13/16" to 3-3/4"	6	52-150
56	3-1/16" to 4"	6	56-150
60	3-5/16" to 4-1/4"	6	60-150
64	3-9/16" to 4-1/2"	6	64-150
72	4-1/16" to 5"	6	72-150
80	4-5/8" to 5-1/2"	6	80-150
88	4-3/32" to 6"	6	88-150
96	4-1/2" to 6-1/2"	6	96-150
104	5" to 7"	6	104-150

ASSORTMENT (10 Each)

Complete with sturdy wire display rack.
101 piece total.

Part Number: 500-150

- (10) Mini M4-150
- (10) Mini M6-150
- (10) 6-150
- (10) 10-150
- (10) 12-150
- (10) 16-150
- (10) 20-150
- (10) 28-150
- (10) 32-150
- (10) 36-150



Other sizes available upon request.